

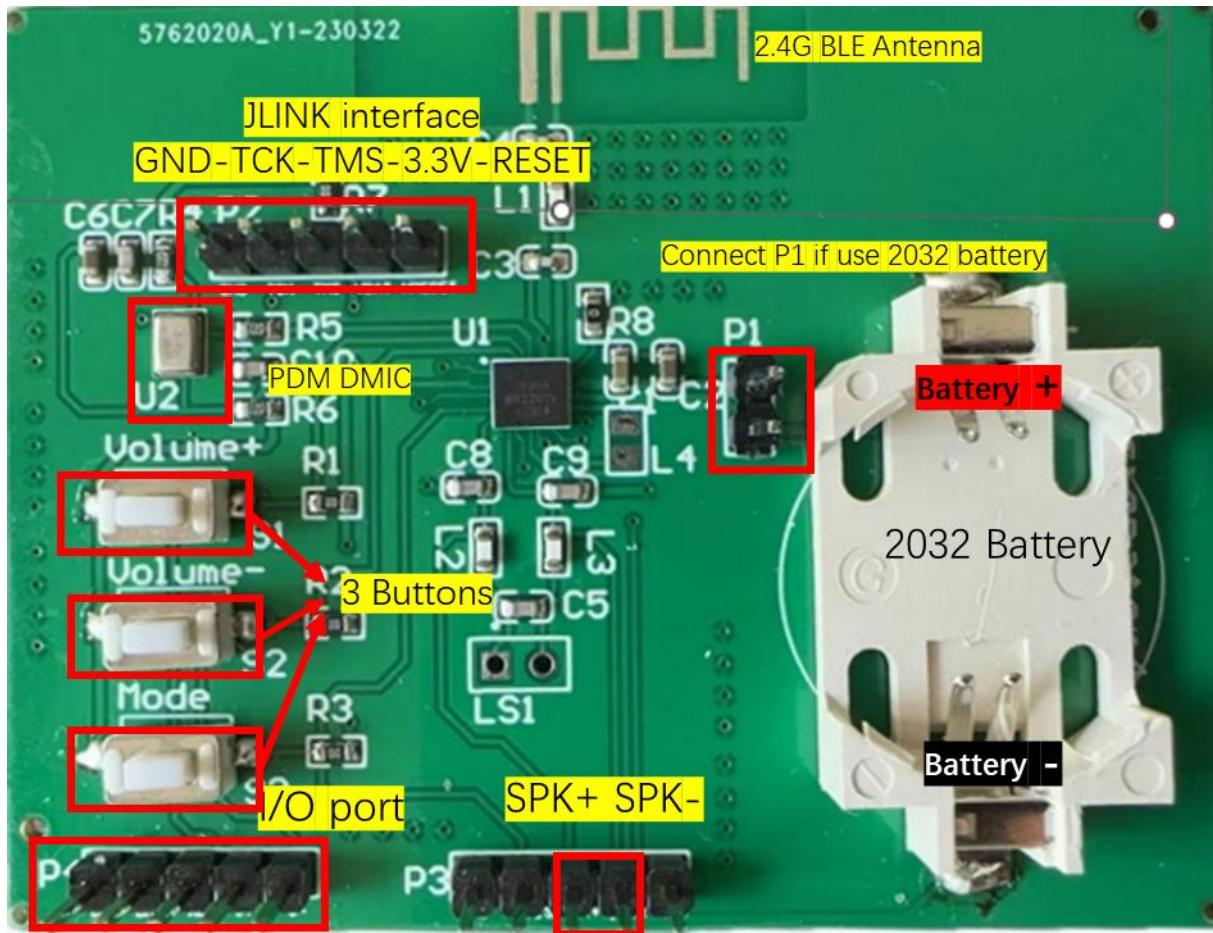


J10 demo board User Guide

www.jhearing.com

2023. Nov.

1. J10 demo board overview



2. J10 DEMO board user guide and feature's introduction

1) Insert 2023 battery, connect the P1, the system powered on, you also could use JLINK interface VCC power on system as another option.

2) After Power on, login in online fitting tool:

https://yp.jhearing.com/webj10_2022.php as below, to find your J10

hearing aid by click "scan J10 hearing aid", to pair and following fitting、

J10 Hearing Aid ,you can fitting on the web page

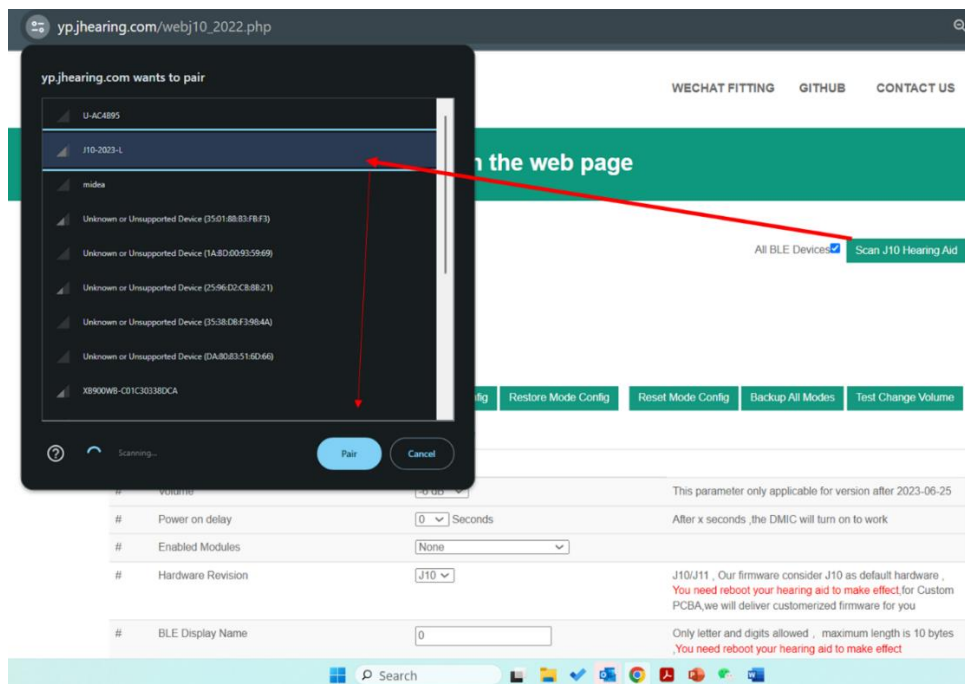
Support On following OS:

- Windows 10+ ,Edge Browser /Chrome Browser
- Linux ,Mac ,see [implemation status](#)
- Android Chrome
- Iphone/pad : Please install "Bluefy – Web BLE Browser" first

if you have issues about web ble,please check [implemation status](#)

All BLE Devices Scan J10 Hearing Aid

Current Mode:





- 3) J10 there 4 modes memory inside, you could switch different mode by the mode button, J10 support many modes where you could select(Meeting mode, restaurant mode, ASHA mode, TV stream mode, Music mode and outdoor mode).The mode B specific for ASHA mode, the rest of A,C,D mode for different hearing aid mode
- 4) You could push the Volume+ Volume- button to modify the volume
- 5) Webfitting link as below, where you could overview most of parameters :

https://yp.jhearing.com/webj10_2022.php

Current Mode:

General

Name	Value	
# ADC Gain	<input type="text" value="0 dB"/>	
# DAC Gain	<input type="text" value="0 dB"/>	
# Power on delay	<input type="text" value="0"/> Seconds	After x seconds ,the DMIC will turn on to work
# Enabled Modules	<input type="text" value="None"/>	Attention: after you enable WDRC ,please decrease DACGain or Output Driver Gain ,Otherwise your may get unexpected too loud voice
# Hardware Revision	<input type="text" value="J10"/>	J10/J11/J112023, . Our firmware consider J10 as default hardware . You need reboot your hearing aid to make effect
# BLE Display Name	<input type="text" value="0"/>	Only letter and digits allowed , maximum length is 9 bytes , You need reboot your hearing aid to make effect

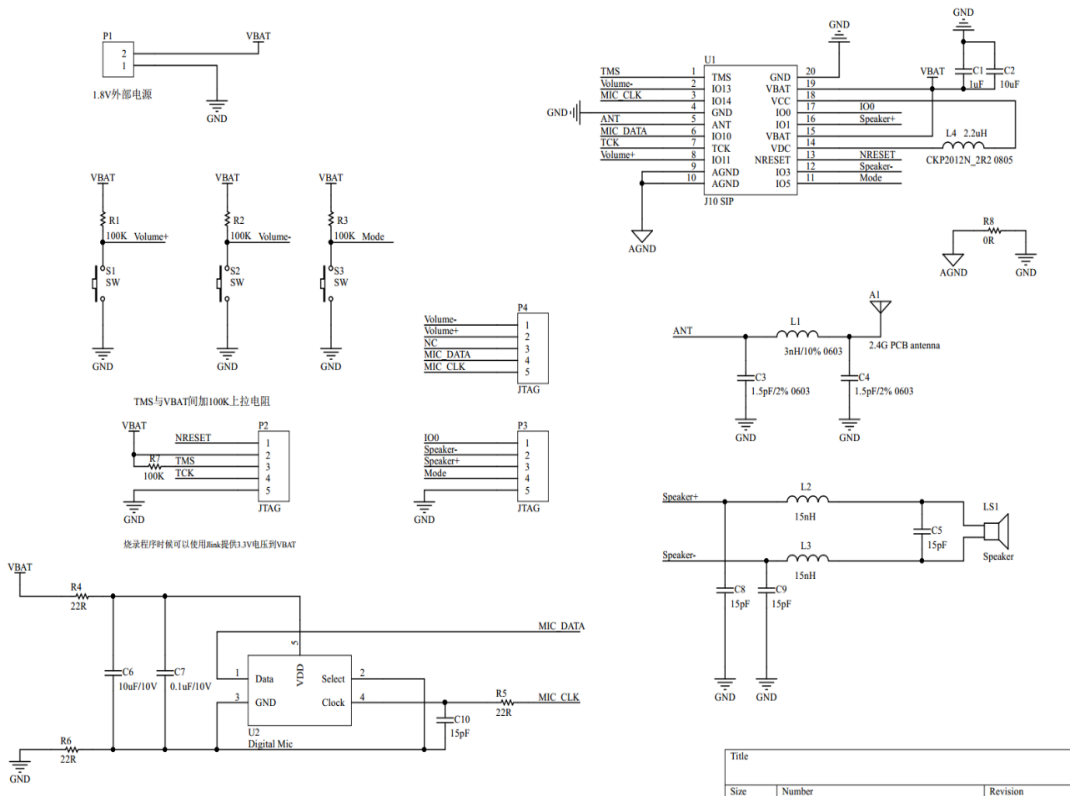


6) You also could use Mobile phone Wechat Mini program ”J10 蓝牙验配小助手(J10 Bluetooth fitting assistant)“ to modification the volume, EQ, Mode etc. configuration



7)

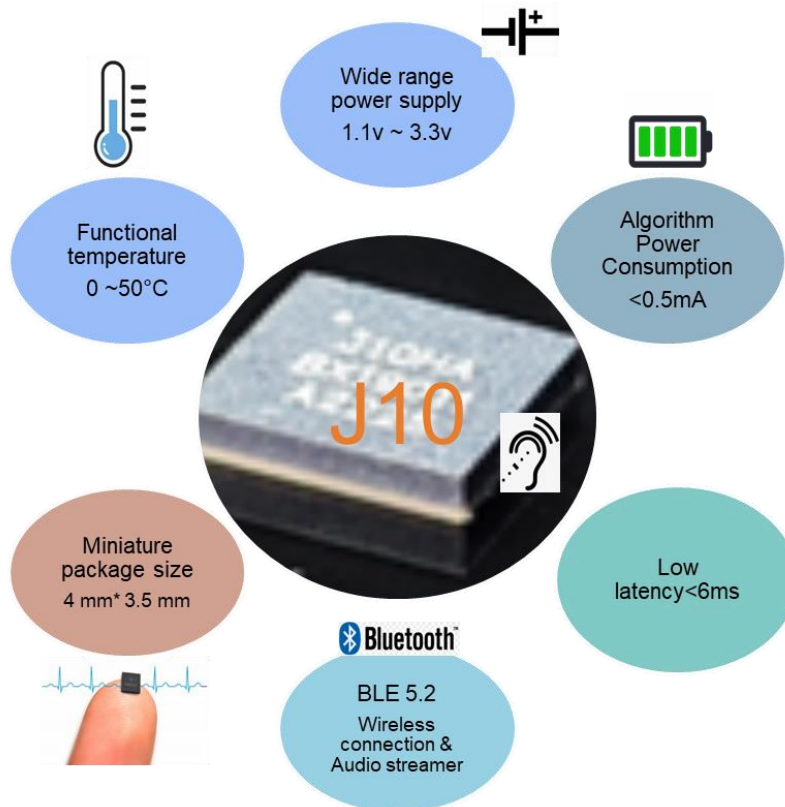
7) You could find the DEMO board reference design as below, also could frm J10 specification from www.jhearing.com





8) JHEAR J10 Platform Introduction

Features	Comment
1-2-3 Buttons	Flexible choice for volume up/down
additional touch sensor interface	Customized touch function for volume, mode etc., better waterproof
50-0hm antenna port	Save PCB size and design cycle time
Support Multi customized Mode	In door, meeting, outdoor, Restaurant mode, music mode, ASHA mode
TV streamer Mode	Property protocol with ultra low power consumption, broadcasting, enable group flexibly
8-WDRC	8 channel WDRC
AI-base Noise reduction	AI NR model, will full operate at next generation platform
Feedback Algorithm	Support in pulse noise compression
ASHA function	Embedded ASHA function
Wireless fitting (App, Website)	reference code for App design, web remote fitting through https://yp.jhearing.com/webj10_2022.php
Rechargeable battery	Mature design reference, charging indicator
Pure Tone test	Open interface for self test
audio prompt function	Support custom multi-languages



9) Fonix 8000 measurement Performance

