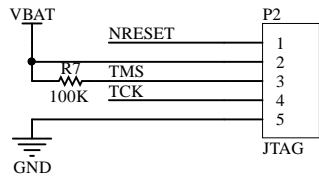
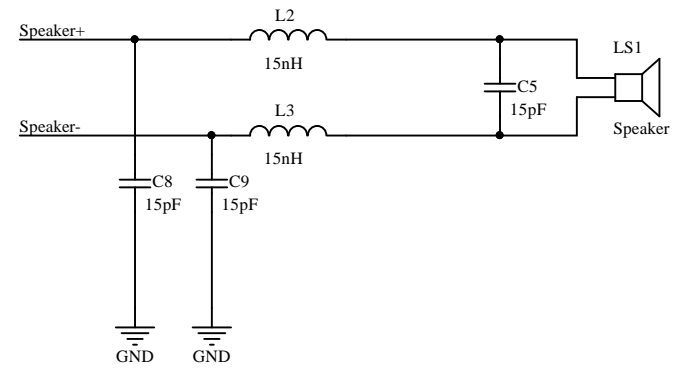
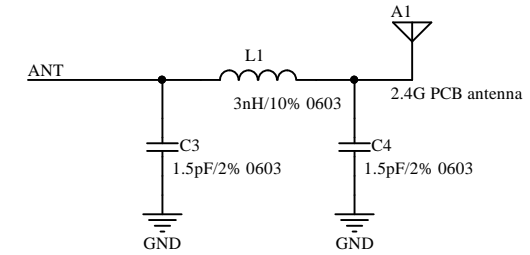
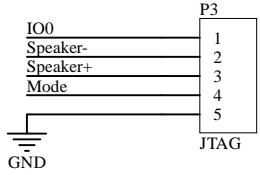
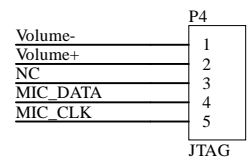
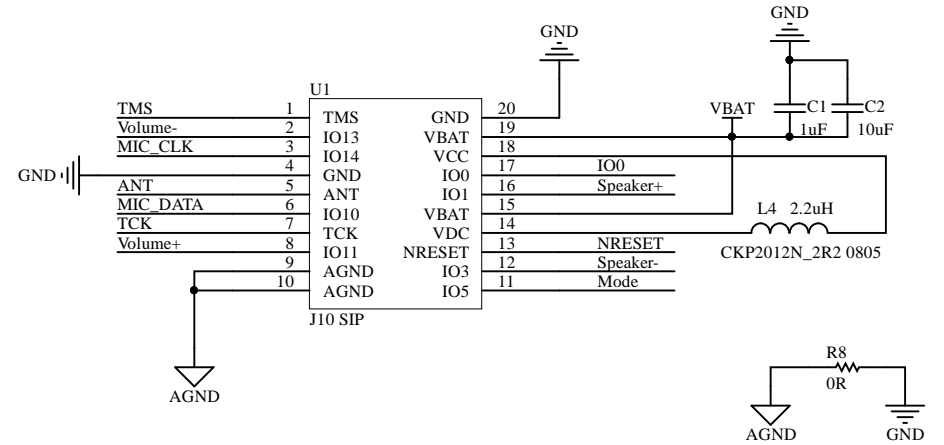
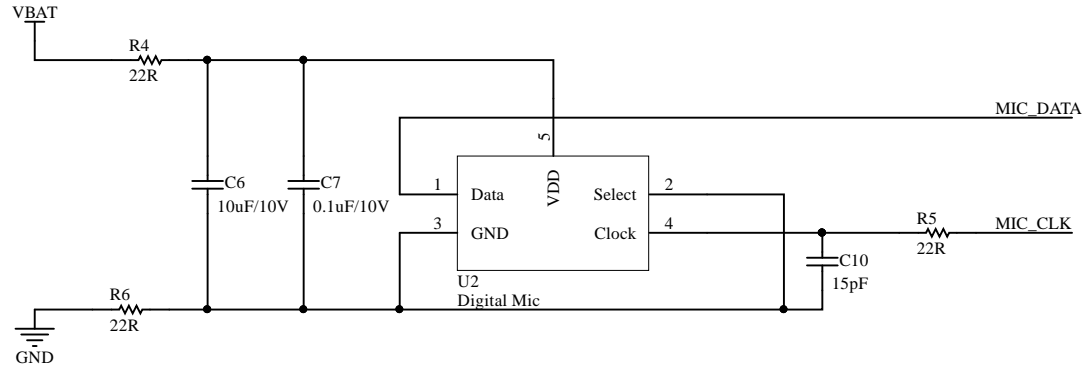


TMS与VBAT间加100K上拉电阻



烧录程序时候可以使用Jlink提供3.3V电压到VBAT



Title		
Size	Number	Revision
A4		
Date:	2022/5/9	Sheet of
File:	\\.\Sheet1.SchDoc	Drawn By: